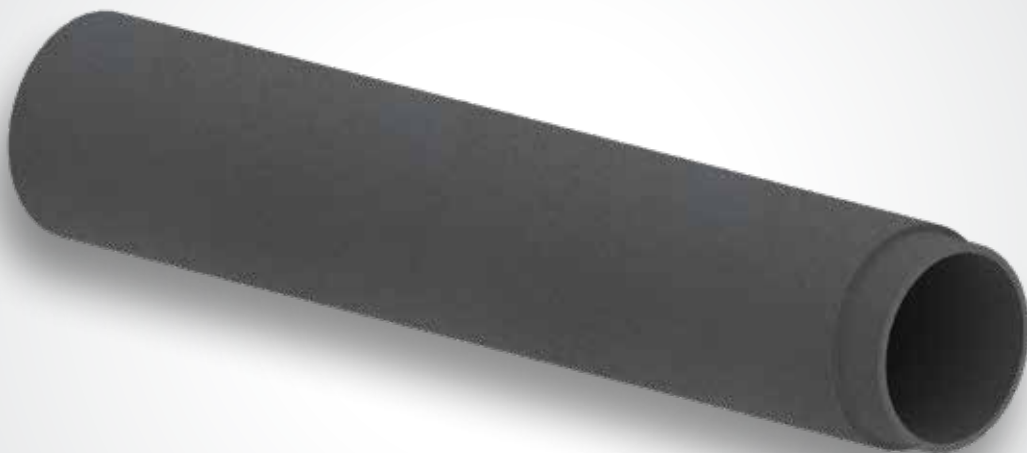


Zehnder ComfoPipe Compact

Technical specification for connection system



General

Zehnder ComfoPipe Compact is a self-supporting and lightweight tube system for outdoor and exhaust air as well as supply and extract air. The connection system includes close-fitting, pluggable, and robust connections and has very high thermal insulation properties. Furthermore, with its closed-cell and vapour-tight surface, it also satisfies leakage classifications up to Class D. The ComfoPipe Plus tube system is available for standard-compliant insulation up to 60 mm.



ComfoPipe Compact tube



ComfoPipe Compact bend



ComfoPipe Compact sleeve

Benefits

- **Everything from a single source** – with the air distribution system and comfort ventilation unit, all components are available for the complete ventilation system
- **Simple installation** owing to modular design and compact dimensions

Technical specifications

Zehnder ComfoPipe Compact	
Material thickness	15 mm
λ	0.037 W/m ² K
Application	-25 °C to 60 °C
Fire class	B2
Material	Extruded polypropylene

Article numbers

Description	Article number
ComfoPipe Compact tube 125, L = 1,000 mm, D = 155 / 125 mm	990 328 690
ComfoPipe Compact tube 160, L = 1,000 mm, D = 190 / 160 mm	990 328 693
ComfoPipe Compact tube 200, L = 1,000 mm, D = 230 / 200 mm	990 328 696
ComfoPipe Compact bend 125, 45 degrees, D = 155 / 125 mm	990 328 691
ComfoPipe Compact bend 160, 45 degrees, D = 190 / 160 mm	990 328 694
ComfoPipe Compact bend 200, 45 degrees, D = 230 / 200 mm	990 328 697
ComfoPipe Compact sleeve 125, D = 179 / 155 mm	990 328 692
ComfoPipe Compact sleeve 160, D = 214 / 190 mm	990 328 695
ComfoPipe Compact sleeve 200, D = 254 / 230 mm	990 328 698

Tender specifications

The 125 mm (also 160 and 200 mm) Zehnder ComfoPipe Compact tube system is suitable for use in outdoor and exhaust air as well as supply and extract air.

The tube material – extruded polypropylene – is an extremely light, insulated material which is sealed against vapour diffusion. The shaped, triple-seal connector pieces ensure a safe and airtight connection within the tube system. Adhesion of the joint on site is no longer required.

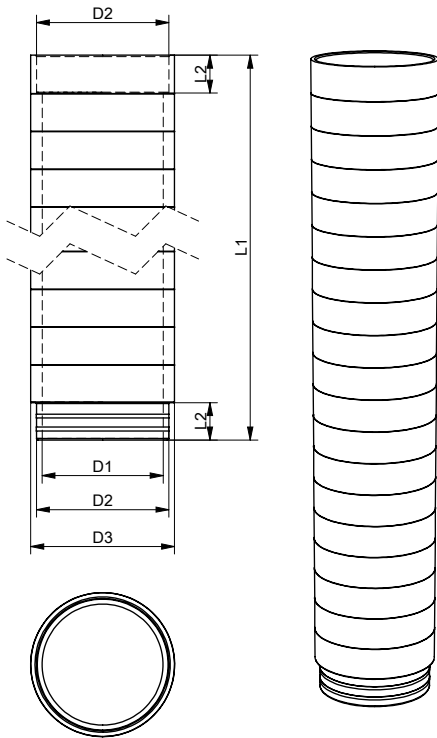
The tube system comprises a length element with an overall length of 1,000 mm, a sleeve for connecting shortened tube pieces without a connection profile and a 45° bend.

Length markings are indicated on the tube elements to ensure easy installation.

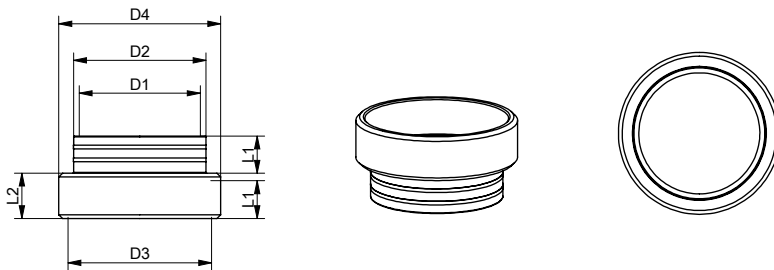
Dimensional drawings

D1	D2	D3	D4	L1	L2
Tube element					
125 mm	140 mm	155 mm	-	1,000 mm	50 mm
160 mm	175 mm	190 mm	-	1,000 mm	50 mm
200 mm	215 mm	230 mm	-	1,000 mm	50 mm
Sleeve					
125 mm	140 mm	155 mm	179 mm	50 mm	60 mm
160 mm	175 mm	190 mm	214 mm	50 mm	60 mm
200 mm	215 mm	230 mm	254 mm	50 mm	60 mm

Tube element

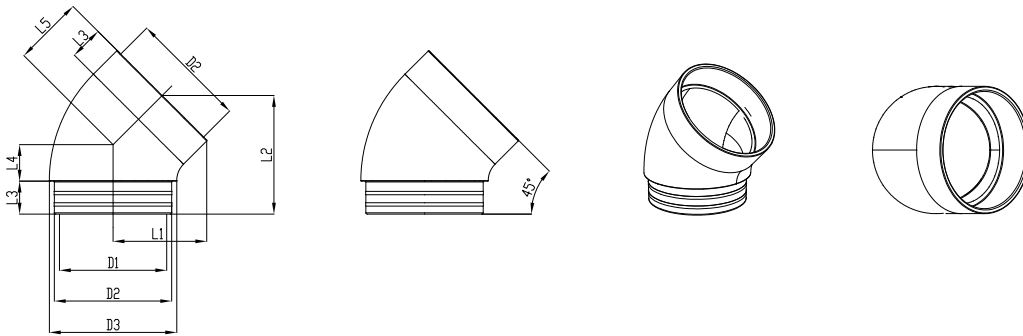


Sleeve

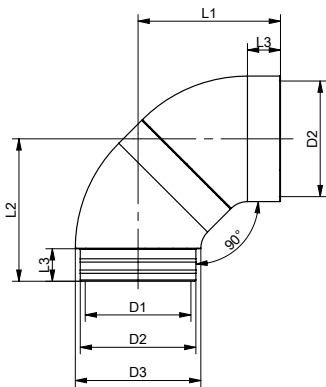


D1	D2	D3	L1	L2	L3	L4	L5
45° bend							
125 mm	140 mm	155 mm	118 mm	207 mm	50 mm	40 mm	98 mm
160 mm	175 mm	190 mm	140 mm	244 mm	50 mm	55 mm	104 mm
200 mm	215 mm	230 mm	166 mm	205 mm	50 mm	71 mm	120 mm
90° bend (2 x 45° bend)							
125 mm	140 mm	155 mm	118 mm	207 mm	50 mm	-	-
160 mm	175 mm	190 mm	140 mm	244 mm	50 mm	-	-
200 mm	215 mm	230 mm	166 mm	205 mm	50 mm	-	-

45° bend

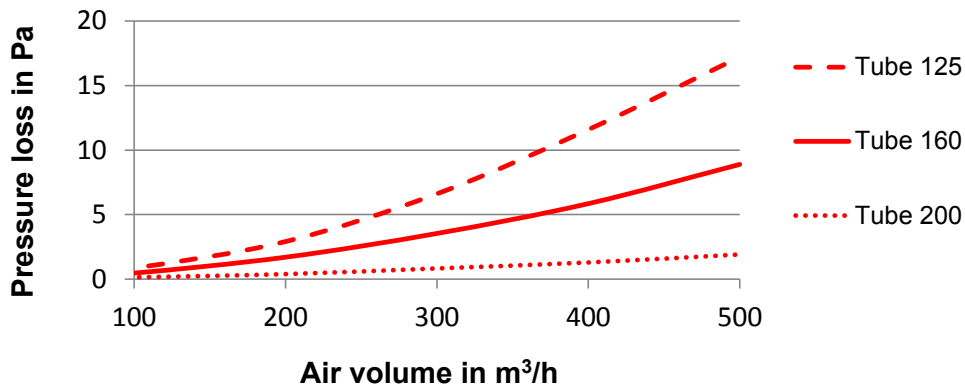


90° bend (2 x 45° bend)

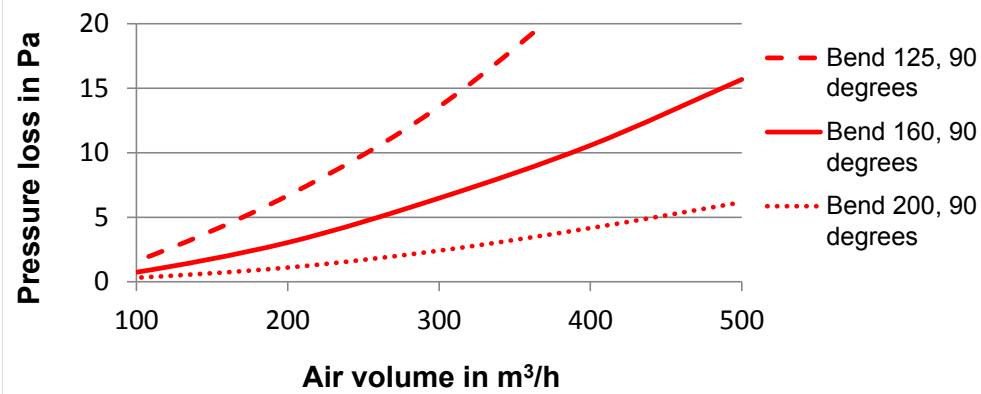


Pressure loss graphs

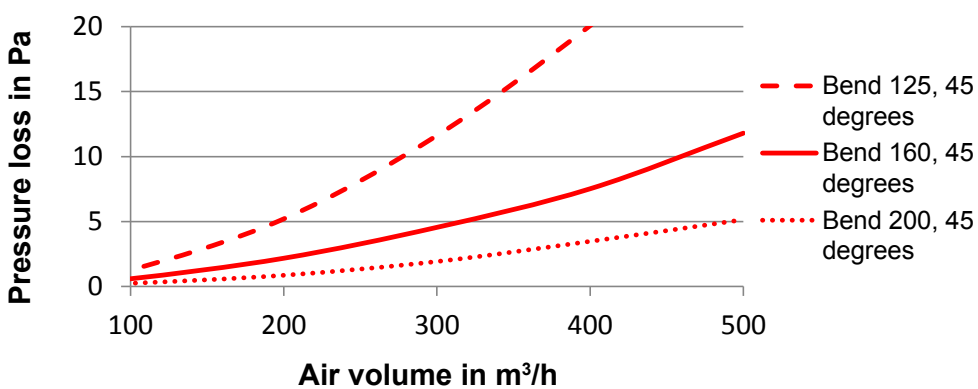
Tubes



90-degree bends



45-degree bends



Z_SI_V0118_CSX_TES_TS080, en, subject to change without notice